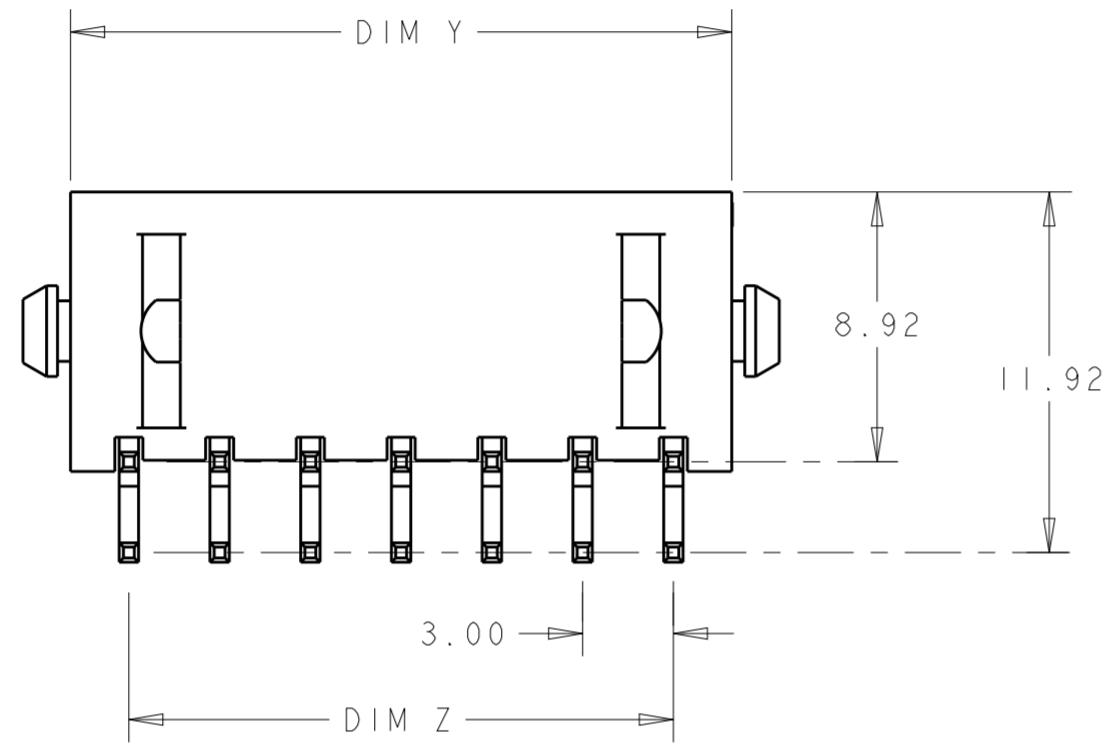
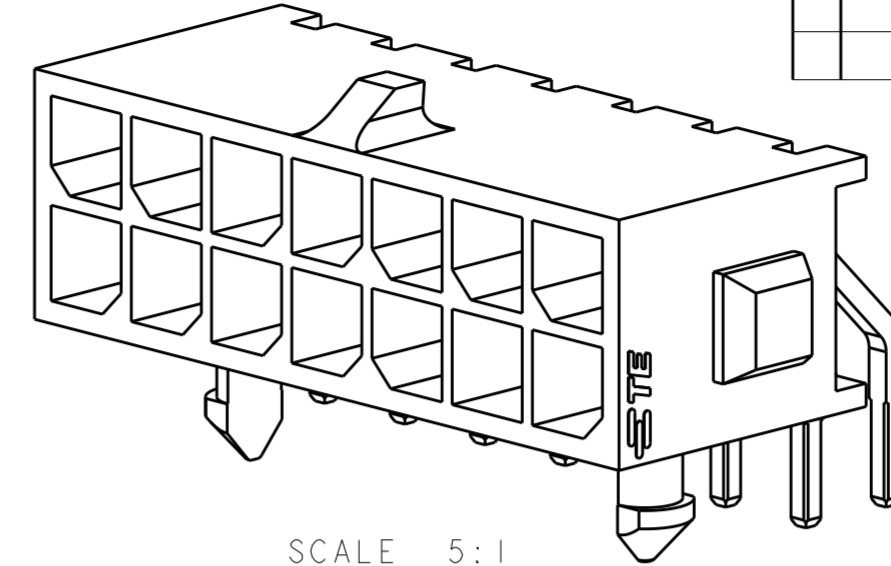
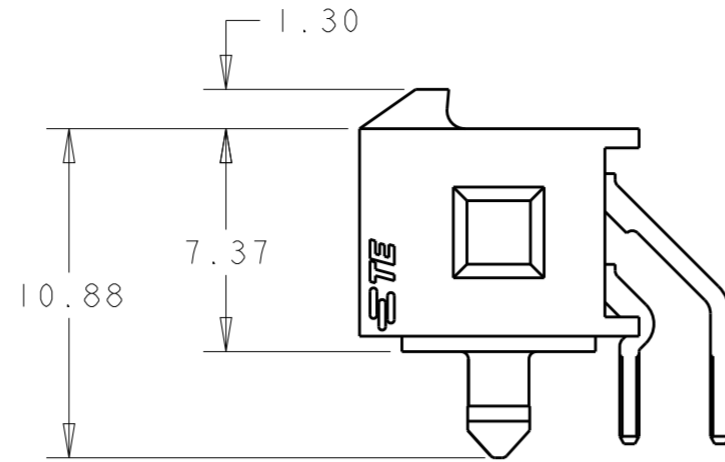
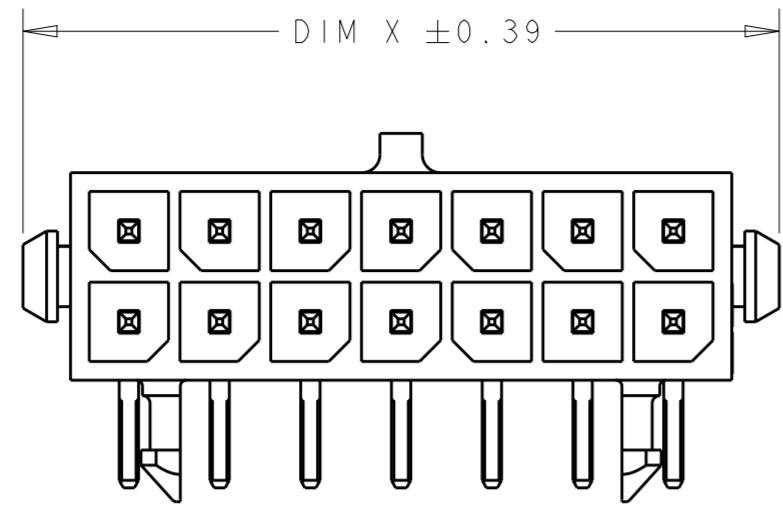
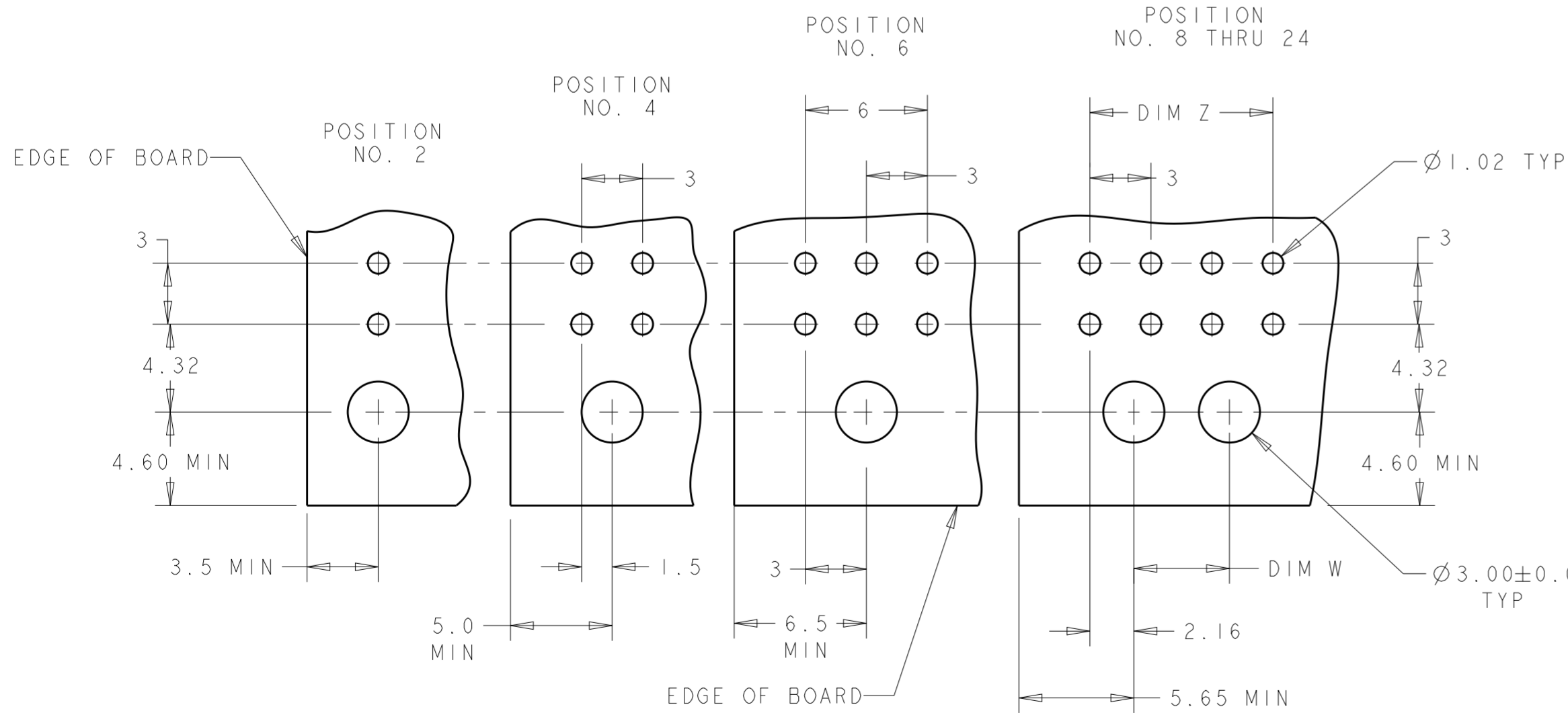


THIS DRAWING IS UNPUBLISHED. RELEASED FOR PUBLICATION 20
 © COPYRIGHT 20 ALL RIGHTS RESERVED.

LOC	DIST	REVISIONS			
P	LTR	DESCRIPTION	DATE	DWN	APVD
CM	00	F	REVISED PER ECO-15-005484	28JUL2015	SC DZ

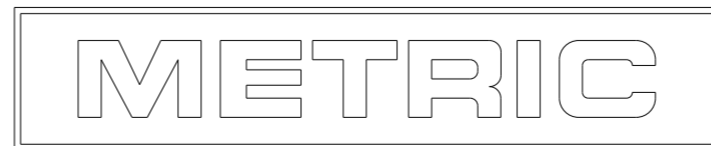


- 1 MATERIAL;
CONTACTS - BRASS.
HOUSING - UL 94V-0 RATED HIGH TEMP NYLON, COLOR; BLACK.
- 2 FINISH;
CONTACTS - 2.54μm MINIMUM TIN-LEAD OVER 1.27μm MINIMUM NICKEL.
- 4 RECOMMENDED PC BOARD THICKNESS OF 1.57.
- 5 FINISH;
CONTACTS - 2.54μm MINIMUM MATTE TIN OVER 1.27μm MINIMUM NICKEL.



FINISH	DIM Y	DIM W	DIM Z	DIM X	NO. OF POSN.	PART NUMBER
5	36.86	28.70	33.00	40.00	24	5-794618-4
	33.86	25.70	30.00	37.00	22	5-794618-2
	30.86	22.70	27.00	34.00	20	5-794618-0
	27.86	19.70	24.00	31.00	18	4-794618-8
	24.86	16.70	21.00	28.00	16	4-794618-6
	21.86	13.70	18.00	25.00	14	4-794618-4
	18.86	10.70	15.00	22.00	12	4-794618-2
	15.86	7.70	12.00	19.00	10	4-794618-0
	12.86	4.70	9.00	16.00	8	3-794618-8
	9.86	-	6.00	13.00	6	3-794618-6
	6.86	-	3.00	10.00	4	3-794618-4
	3.86	-	-	7.00	2	3-794618-2
2	36.86	28.70	33.00	40.00	24	2-794618-4
	33.86	25.70	30.00	37.00	22	2-794618-2
	30.86	22.70	27.00	34.00	20	2-794618-0
	27.86	19.70	24.00	31.00	18	1-794618-8
	24.86	16.70	21.00	28.00	16	1-794618-6
	21.86	13.70	18.00	25.00	14	1-794618-4
	18.86	10.70	15.00	22.00	12	1-794618-2
	15.86	7.70	12.00	19.00	10	1-794618-0
	12.86	4.70	9.00	16.00	8	794618-8
	9.86	-	6.00	13.00	6	794618-6
	6.86	-	3.00	10.00	4	794618-4
	3.86	-	-	7.00	2	794618-2

RECOMMENDED PCB LAYOUT 4
(COMPONENT SIDE)



THIS DRAWING IS A CONTROLLED DOCUMENT.		DWN B. HAYMAKER 12AUG99
DIMENSIONS: mm		CHK K. COBLE 12AUG99
TOLERANCES UNLESS OTHERWISE SPECIFIED:		APVD K. COBLE 12AUG99
0 PLC	±	PRODUCT SPEC
1 PLC	±	-
2 PLC	±0.13	APPLICATION SPEC
3 PLC	±	-
4 PLC	±	-
ANGLES	±	WEIGHT
FINISH	SEE TABLE	-
MATERIAL	1	CUSTOMER DRAWING

TE Connectivity	
NAME THRU-HOLE, R/A, TIN HEADER, PLASTIC BOARDLOCK, DUAL ROW, MICRO MATE-N-LOK™	
SIZE A2	CAGE CODE P0779
DRAWING NO. C-794618	RESTRICTED TO
SCALE 4:1	SHEET 1 OF 1 REV F